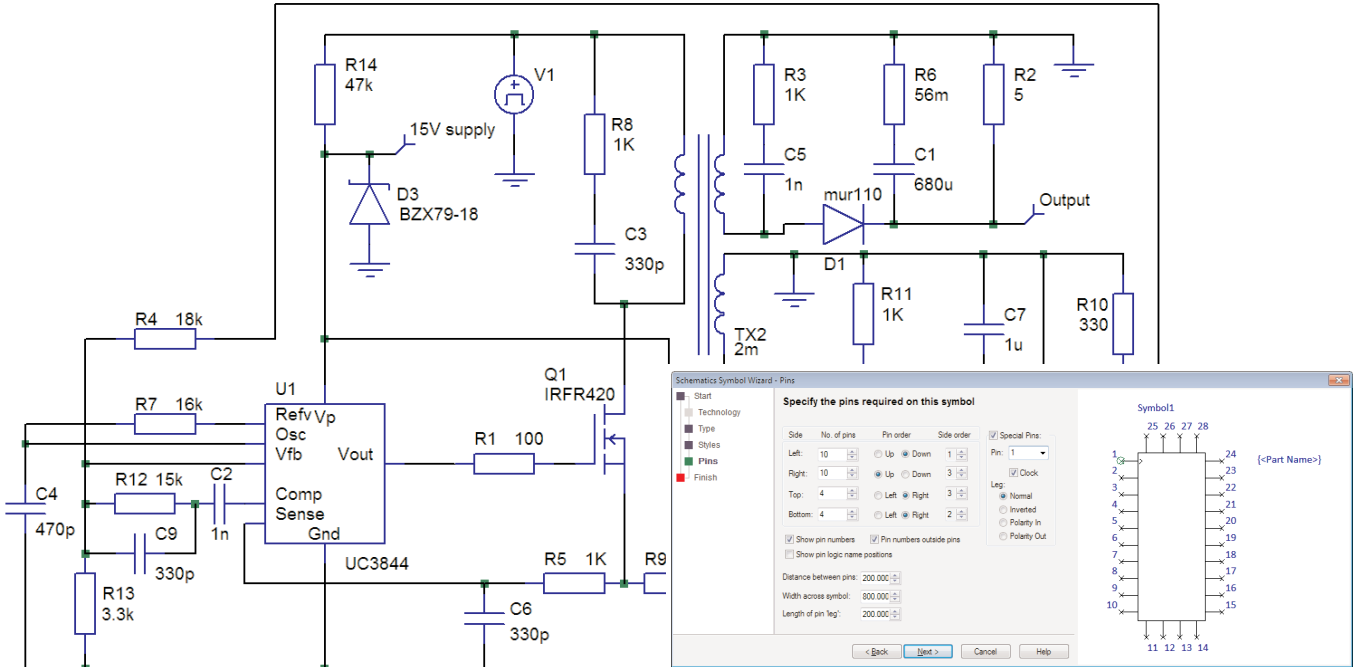


## Create Clear and Concise Schematics



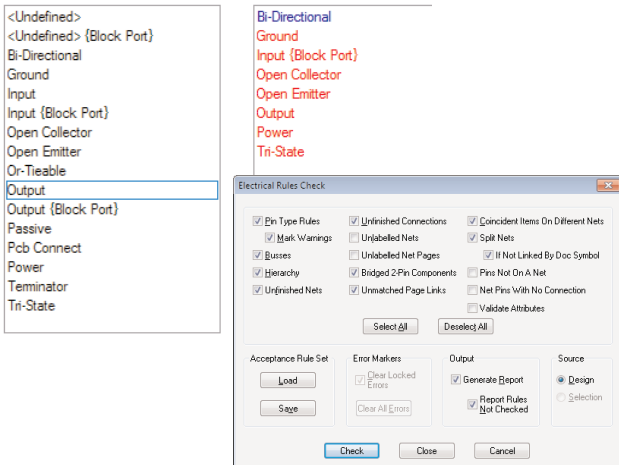
The graphical Symbol Wizard enables you to quickly create new Symbols

## Create Clear and Concise Schematics

Create clear and concise schematic drawings in this easy-to-use design environment. No tedious menus or commands to navigate with modeless operation and intuitive fast usage.

## Electrical Rules Checking

Electrical rules checking (ERC) both Online as you design and as an interactive batch mode are readily available to ensure your connective design rules are adhered to at all times during the circuit creation. All ERC violations are instantly notified to you so you can take corrective action.



User configurable ERC Rules - essential for right first time design

## Flat Sheet and Multi-level Hierarchical Design

Pulsonix provides 'top down' design: breaking blocks into functional elements allowing you to define the detail of each element, and 'bottom-up' design: facilitating the re-use of commonly used circuit elements using pre-defined blocks to build a solution.

## Instant Cross Probing

Cross probe bi-directionally between your Schematic and PCB designs. Click on the component or connection in the Schematic and see the corresponding component instantly highlighted in the PCB, or click on a footprint or track in PCB and see it highlighted in the Schematic.

## Sketch Connections

Interactive Schematic Routing enables you to guide the routing path for electrical connections within your schematic design. With point-to-point routing and 'sketch' path mode, schematic connection routing has never been so easy and fast.

## Forwards and Backwards Design Annotation

Send design changes and ECO's to the PCB or make changes in the PCB and back-annotate them to the Schematic however your design process dictates.

# Pulsonix Schematic Capture



## Intelligent Busses

Intelligent busses can be added to your design in one movement. 'Open' and 'Closed' busses are flexible and powerful. Bus nets can be drawn with connective nets to lower-level hierarchy or left named for full implied (invisible) connectivity.

## Intelligent PDF Export

Export your designs to an intelligent PDF file. Drawings and design can be interrogated using the PDF file without the need to send the actual design file or load Pulsonix. Every design item can be queried and critical properties displayed.

## Multiple Netlist Export

Export netlists from Pulsonix to other industry standard vendor formats such as ViewLogic, EDIF, OrCAD etc. Use the Pulsonix Schematic design editor as your choice for quick and reliable circuit capture.

## Schematic Symbol Wizard

Takes you through creation of the symbol in a step-by-step sequence to easily produce regular symbols. The pin sizes, positions and numbering is selected to make symbol creation so simple and error free.

## Design Variants

Define any number of Part and Assembly variants in your Schematic design and automatically transfer these through to the PCB.

## Attribute Editor

The attribute editor enables editing of properties and critical information in the design using the powerful spreadsheet style editor. Quickly Copy/Paste attributes and parameters into the cells for components, nets and pins.

Name	Part Name	Family	<Spice Device>	<Spice Parameters>	<Spice Value>	Spice
C1	Capacitor	C			600u	Passives
C2	Capacitor	C			1n	Passives
C3	Capacitor	C			330p	Passives
C4	Capacitor	C			470p	Passives
C5	Capacitor	C			1n	Passives
C6	Capacitor	C			330p	Passives
C7	Capacitor	C			1u	Passives
C8	Capacitor	C			1n	Passives
C9	Capacitor	C			330p	Passives
C11	Capacitor	C			1u	Passives
D1	Diode	D		mur110		Semicondu
D2	Diode	D		D118448		Semicondu
D3	Zener Diode	X		BZ75-10		Semicondu
D4	Diode	D		D118448		Semicondu
PROBE1	Voltage Pro			axisType="auto" persist	Output	Probes
PROBE2	Voltage Pro			axisType="auto" persist	Vsense	Probes
PROBE3	Voltage Pro			axisType="auto" persist	15V supply	Probes
Q1	NMOS (3 ter	X			RF8420	Semicondu
R1	Resistor (Bo	R			100	Passives
R2	Resistor (Bo	R			5	Passives
R3	Resistor (Bo	R			1K	Passives
R4	Resistor (Bo	R			10k	Passives
R5	Resistor (Bo	R			1K	Passives
R6	Resistor (Bo	R			50m	Passives
R7	Resistor (Bo	R			10k	Passives
R8	Resistor (Bo	R			1K	Passives
R9	Resistor (Bo	R			1.8	Passives
R10	Resistor (Bo	R			330	Passives
R11	Resistor (Bo	R			1K	Passives
R12	Resistor (Bo	R			15k	Passives
R13	Resistor (Bo	R			5.3k	Passives
R14	Resistor (Bo	R			47k	Passives
TX2	Ideal Transf	X		PP=0.990 SS=0.990 PG=	2m	
U1	UC3842	X			UC3844	Analog/Spe
V1	Pulse Gener	V			Pulse(0 100 0 1m	Sources

View and edit all design attributes in the spreadsheet style editor

## Import Filters

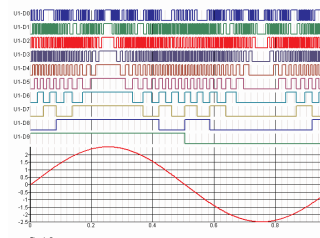
Pulsonix boasts the industry's largest range of import filters

Tried and tested, these are high-quality reliable import filters that have been proven time and time again. Import filters are available for:

Altium, Protel, Accel, P-CAD, CadStar, Visula PCB, PADS, DxDesigner, ViewLogic, Eagle, Integra, OrCAD, Cadence Allegro, Zuken CR5000, Zuken System Designer, Ultiboard plus more

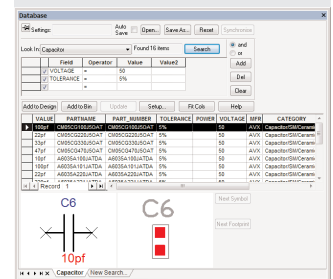
## Spice Mixed-mode A/D Simulator

The integrated Pulsonix Spice Simulator option enables designs to be tried and tested at the very earliest stages of design.



## Database Connection

Add components from your corporate Parts database directly to your design using the Database Connection option.



## Feature Summary:

- Integrated Schematics and PCB
- 80,000 Part library as standard
- True instanced Schematic hierarchy
- Drag & drop design methodology
- Fast menu-less operation
- Sketch connection mode
- Single-shot printing & plotting
- Export netlist to other PCB systems
- Intelligent Busses
- Instant cross probing
- Forwards & backwards annotation
- Style sheet templates
- Customisable drawing & title blocks
- Define constraint rules at SCM stage
- Schematic symbol wizard
- Intelligent Component & Net naming
- Star Point & Testpoint definition

“ Pulsonix is our new ECAD standard tool for Schematics, simulation and PCB design. It has been chosen for its modern easy-to-use interface and its perfect price/performance ratio. ”

O. Hollinger, Carl Zeiss AG.

**Pulsonix** 20 Miller Court, Severn Drive, Tewkesbury, Glos, GL20 8DN, UK  
Tel: +44 (0) 1684 296 551 Email: [sales@pulsonix.com](mailto:sales@pulsonix.com) Web: [www.pulsonix.com](http://www.pulsonix.com)

Copyright (C) WestDev Ltd 2016. All rights reserved. E&OE. All trademarks acknowledged to their rightful owners

PSX180116